

I N T R O D U C I N G



CB-14 Series Conveyor Bearings

A unique and cost-effective bearing design that can significantly reduce noise in conveyor operations.

Kilian CB-14 series conveyor bearings are specifically designed to operate quietly and dependably in the most demanding material handling applications.

CB-14 bearings combine two major features that act together to reduce the metal-to-metal contact that is a common source of noise throughout the conveyor system. A nylon retainer separates and guides the balls, while a pressed-in nylon adapter eliminates any direct contact of bearing ring with conveyor shaft. An adapter flange also acts as a bearing shield to exclude contaminants.

The entire CB-14 series has a one-piece, precision machined outer ring to prevent any spreading or splitting under load. Hardened raceways improve anti-friction performance. The ball separator design permits a speed of 2,000 rpm, higher than what could be achieved with full-complement bearings.

Benefits

- **Noise Reduction** - combination of nylon ball retainer and shaft adapter eliminates metal-to-metal contact, significantly reducing operating noise.
- **Easy Replacement**- standard 7/16-inch hex-shaped bore interchanges with most conveyor roller bearing sizes currently in use.
- **Available from Stock**- inventories of all sizes in stock for fast shipment from either factory or any Altra Industrial Motion Authorized Distributors.
- **High-Speed Operation** - ball retainer permits a higher speed of 2,000 rpm that matches maximum conveyor requirements.
- **One-Piece Outer Ring** - precision machined from solid, hardened steel, outer ring will not spread or split like fabricated designs.
- **Total Value Package** - a dependable, low-cost choice with the best combination of features for retrofit applications or new designs.





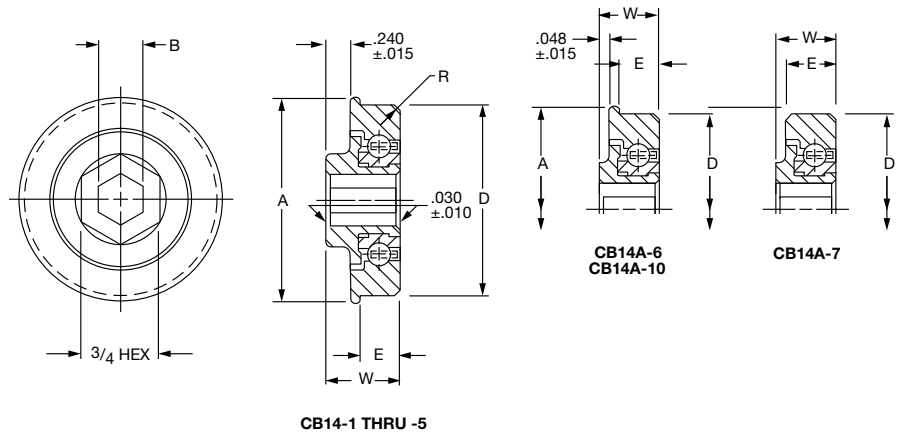
CB-14 Series Conveyor Bearings

Bearing Design

Kilian CB-14 series bearings are specifically designed for conveyor applications with two major features to reduce operating noise. A nylon retainer separates the balls, preventing any cascading or contact between them. In addition, a unique nylon adapter is pressed into the bearing bore to accommodate standard 7/16-inch hex shafting and dampen noise which is normally transmitted to the conveyor frame. Both inner and outer rings are precision machined from bar stock for maximum concentricity and true running performance. The solid, one-piece rings prevent spreading or splitting problems.

Application

Flange-type design is engineered for convenient, press-fit installation on ends of conveyor rolls. The nylon ball retainer permits reliable operation at speeds up to 2,000 rpm higher than standard full-complement ball bearings. The quiet-running CB-14 series easily replaces most standard conveyor-type bearings for significant noise reduction in plants and warehouses.



To order, specify Bearing Number. Example: CB14-1

Bearing Number	Hex Bore B	Outside Diameter D +.005 -.000	Flange A ± .015"	Width		R	Manufacturer's Part No. Interchange ⁽¹⁾
				w ± .015"	E ± .015"		
CB14-1	.466/.456	1.464	1.537	0.712	0.372	3/16	Rapistan 4933-70481
CB14-2	.466/.456	1.498	1.574	0.712	0.410	5/64	Frantz 01, Bush 190
CB14-3	.466/.456	1.524	1.600	0.712	0.410	5/64	Mathews B 1020-1, -2
CB14-4	.466/.456	1.875	1.951	0.712	0.410	5/64	Kendale BFC 1877-446
CB14-5	.466/.456	1.598	1.675	0.712	0.410	5/64	Standard 231
CB14A-6	.466/.456	1.707	1.783	0.520	0.410	5/64	Litton 200 PL
CB14A-7	.466/.456	1.707	—	0.520	0.472	5/64	B30194 (195PL)
CB14A-10	.466/.456	1.623	1.700	0.520	0.410	5/64	Schatz AFH2852 Frantz 16242

⁽¹⁾Applies to Bore and O.D. only.

